



Lijiacheng
Electric

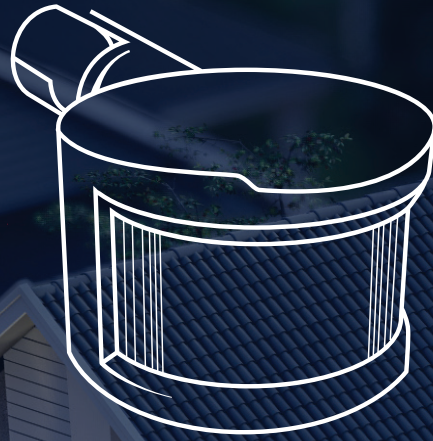
Outdoor Solar Security Light

energy efficiency | easy Installation



Product catalog 2022

MOTION SENSOR

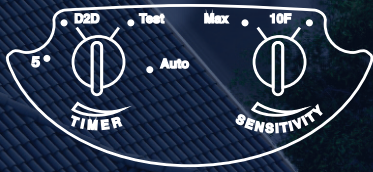


70ft

180°

Motion detection
distance

Wide
Motion detection for
large open areas



- Max. 18M 180 detection range with sensitivity
- Lens color is available in black and white
- Plastic enclosure in PC

2X mode

Test Mode + Auto Mode
Manual Override + PC Mode



Shut off delay
time 300 sec



8hr

Auto re-set Manual Override or
re-set by flipping the switch within 3''

110°

Narrow
Motion detection
for interior corners

120°

Semi Wide
Motion detection
for interior corners

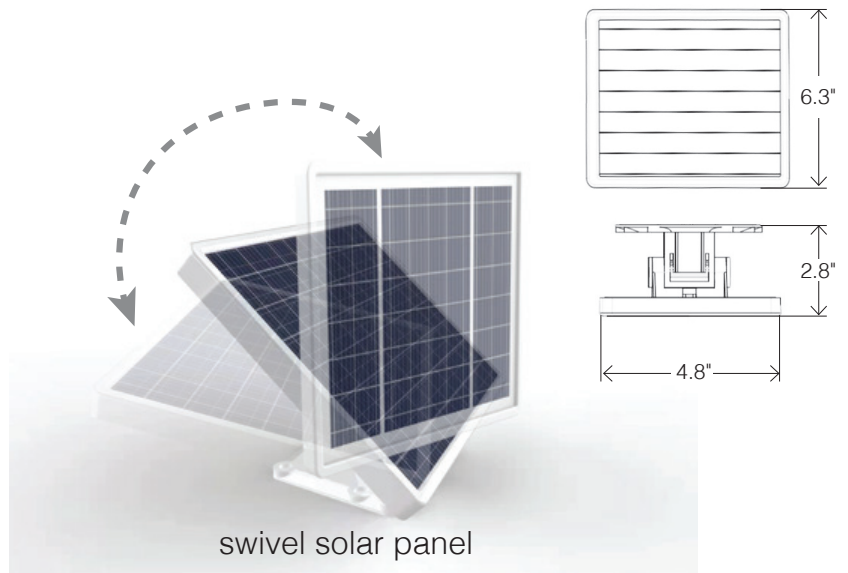
HIGH EFFICACY SOLAR PANEL





ECO FRIENDLY

- Initial charge is suggested for 2-3 days.
- After fully charged, light can be used for 90 mins. If the time is set for 60 sec, the light can be triggered for 90 times.
- Installs easily with no wiring needed
- Perfect for sheds, barns, decks & pathways
- Provides emergency power in case of storms or other power failures



Solar powered,
no need for
electricity



Monocrystalline
silicon solar
panel



Waterproof
and weather
resistant



Heat resistant
to 65° Celsius
degrees



FEATURES



180°
DETECTION
RANGE



SOLAR
CHARGED



MOTION
ACTIVATION



WET
LOCATION



LI-ION
BATTERY



1000
LUMEN
PACKAGE



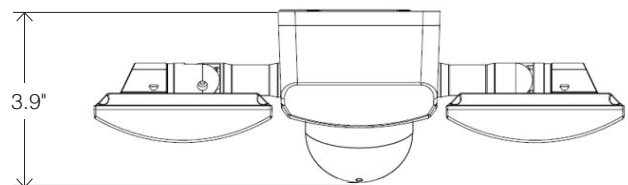
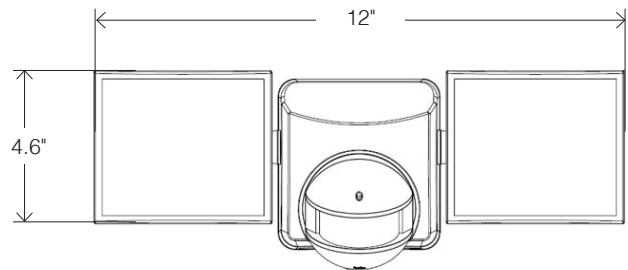
16'
CORD
LENGTH



DUSK TO
DAWN

**180° Motion Sensor
Twin Head Solar Powered LED Floodlight**
LJC-SLCXX-S-V4

- 650 lumens
- 6 in. x 8 in. amorphous solar panel with 16 ft. cord
- Durable polycarbonate housing suitable for wet locations
- One-handed adjustments to fixture head and motion sensor possible
- UV stable polycarbonate lens
- Suitable for wall or eave mounting
- Replaceable Li-ion battery
- Frosted lens for even light





FEATURES



180°
DETECTION
RANGE



SOLAR
CHARGED



MOTION
ACTIVATION



WET
LOCATION



LI-ION
BATTERY



1000
LUMEN
PACKAGE



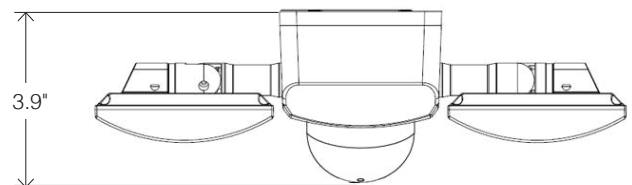
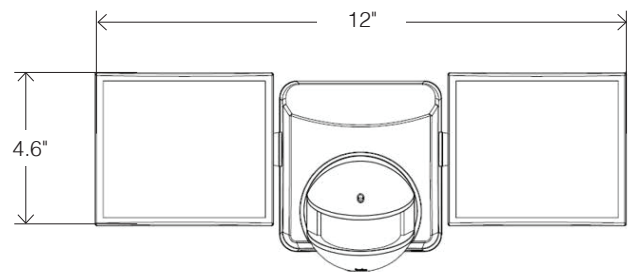
16'
CORD
LENGTH



DUSK TO
DAWN

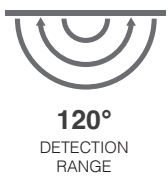
180° Motion Sensor Twin Head Solar Powered LED Floodlight LJC-SLCXX-S-V4

- 650 lumens
- 6 in. x 8 in. amorphous solar panel with 16 ft. cord
- Durable polycarbonate housing suitable for wet locations
- One-handed adjustments to fixture head and motion sensor possible
- UV stable polycarbonate lens
- Suitable for wall or eave mounting
- Replaceable Li-ion battery
- Frosted lens for even light



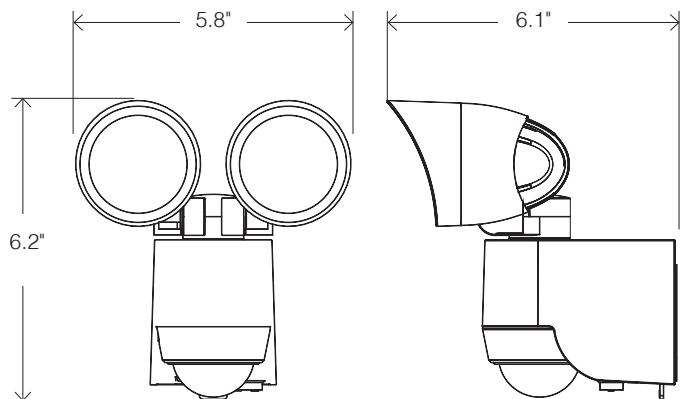


FEATURES



**180° Motion Sensor
Twin Head Solar Powered LED Floodlight**
LJC-SLCXX-S-V4

- 650 lumens
- 6 in. x 8 in. amorphous solar panel with 16 ft. cord
- Durable polycarbonate housing suitable for wet locations
- One-handed adjustments to fixture head and motion sensor possible
- UV stable polycarbonate lens
- Suitable for wall or eave mounting
- Replaceable Li-ion battery
- Frosted lens for even light





FEATURES



180°
DETECTION
RANGE



SOLAR
CHARGED



MOTION
ACTIVATION



WET
LOCATION



LI-ION
BATTERY



1000
LUMEN
PACKAGE



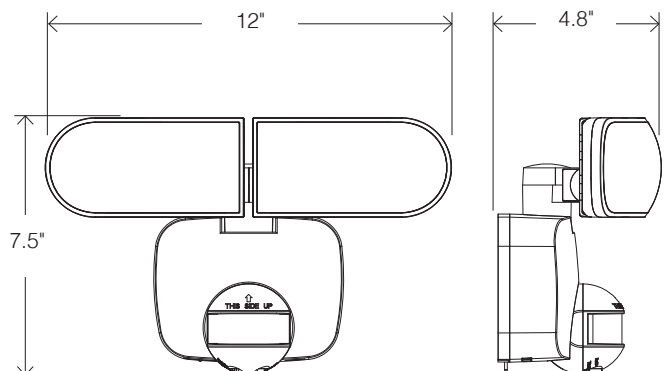
16'
CORD
LENGTH



DUSK TO
DAWN

180° Motion Sensor Twin Head Solar Powered LED Floodlight LJC-SLCXX-S-V3

- Motion sensor detects motion 180° up to 70 ft.
- 1000 lumens
- 6 in. x 8 in. solar panel for maximum charging power with 16 ft. cord
- Adjustable time setting for 1 to 3 minutes
- Integral light sensor prevents light from turning ON during the daytime
- Li-ion rechargeable battery





FEATURES



180°
DETECTION
RANGE



SOLAR
CHARGED



MOTION
ACTIVATION



WET
LOCATION



LI-ION
BATTERY



520
LUMEN
PACKAGE



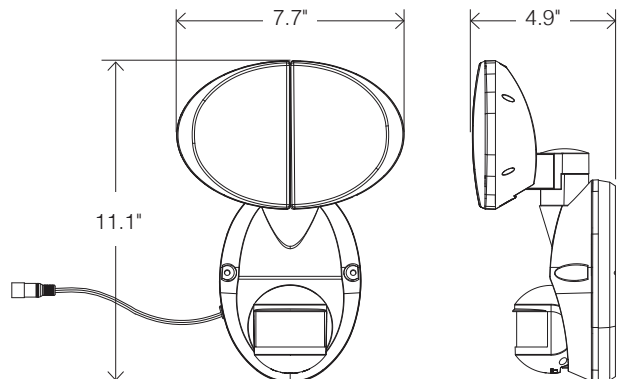
16'
CORD
LENGTH



DUSK TO
DAWN

180° Motion Sensor Twin Head Solar Powered LED Floodlight LJC-SLCXX-S-V1

- Motion sensor detects motion 180° up to 70 ft.
- 520 lumens
- 6 in. x 8 in. solar panel for maximum charging power with 16 ft. cord
- Adjustable time setting for 1 to 3 minutes
- Operates as a single or twin head
- Integral light sensor prevents light from turning ON during the daytime
- Integral Li-ion rechargeable battery pack





FEATURES



120°
DETECTION
RANGE



SOLAR
CHARGED



MOTION
ACTIVATION



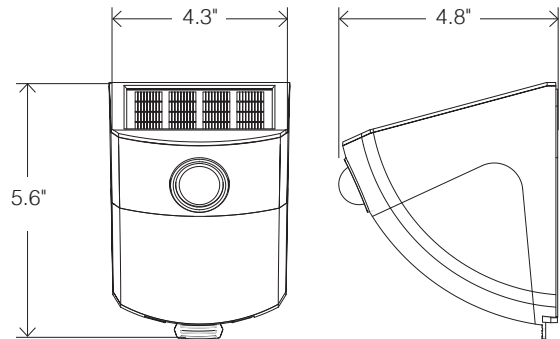
WET
LOCATION



300
LUMEN
PACKAGE

120° Motion Sensor Solar Powered LED Floodlight LJC-SLCXX-S-V2

- Motion sensor detects motion 120° up to 25 ft.
- 300 lumens
- Integrated Li-ion batteries provide up to 60 min. running time
- Easy installation with mounting bracket for portable/ emergency use
- Integral polycrystalline solar panel, no wiring necessary
- Auto 1 minute fixed time setting



www.ljclight.cn

Hangzhou Lijiacheng Electric Co.,Ltd.

address: Gaohong Industrial Park, Lin'an District, Hangzhou, China, 311307

Fax: +86-571-6110 5663

E-mail: Chris@ljclight.com